

Important information - safety

General information

Read this installation guide and the safety instructions carefully before installing this Somfy product. All the instructions given must be followed closely and this guide must be stored in a safe place throughout the service life of your product.

These instructions describe how to install and commission this product.

Any installation or use outside the field of application specified by Somfy is forbidden.

This invalidates the warranty and discharges Somfy of all liability, as does any failure to comply with the instructions given herein.

Somfy cannot be held responsible for any changes in standards which come into effect after the publication of these instructions.

General safety instructions

- This product is not designed to be used by persons (including children) whose physical, sensory or mental capacity is impaired, or persons with little experience or knowledge, unless they are under supervision or have received instructions on using this product by a person responsible for their safety.
- Do not let children play with this product.
- Do not immerse the product in liquid.
- Do not drop, drill or dismantle this equipment, as this will invalidate the warranty.
- Do not expose this equipment to high temperatures or leave it in direct sunlight.

Introduction

Congratulations on your purchase of the new Somfy opening sensor.

Connected to TaHoma or Connexoon, this sensor lets you know if your door or window is properly closed, wherever you are.

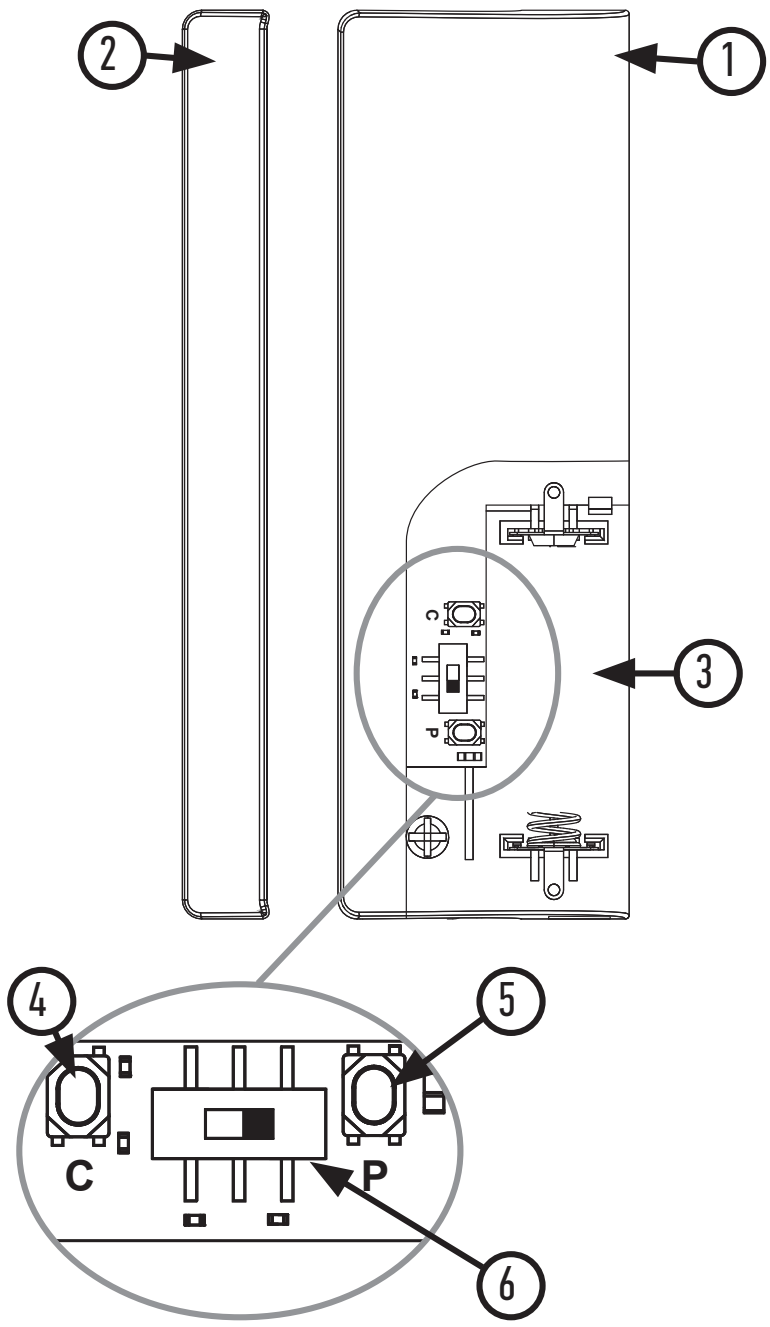
The sensor will also warn you in the event of any intrusion.

If used with TaHoma, you can also make use of the advanced functions. For example, if you have a heating system that is compatible with TaHoma, if your sensor detects an open window, you can set the system to switch your heating on in freeze-protection mode to avoid high energy use.

Contents

Description	Qty
Opening and impact sensor	1
CR123 battery	1
Adhesive strips	6*

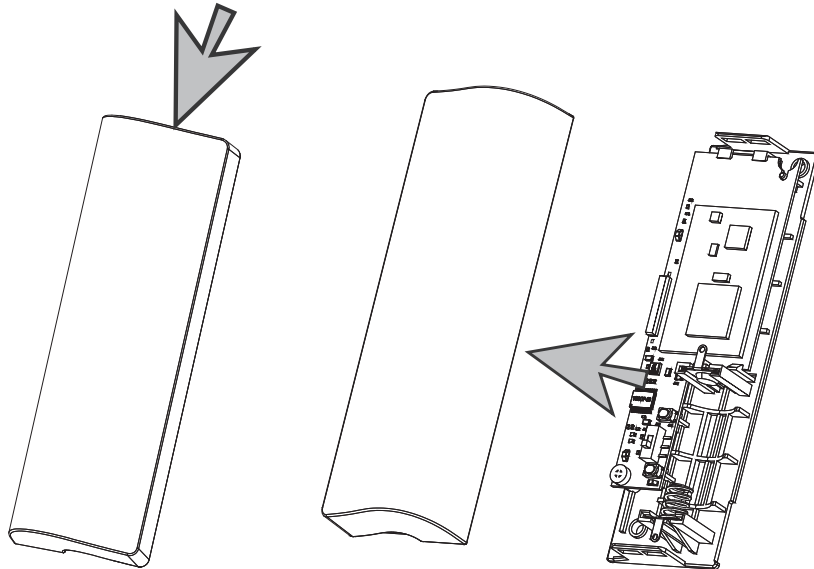
* 3 pre-glued bases.
3 replacements.



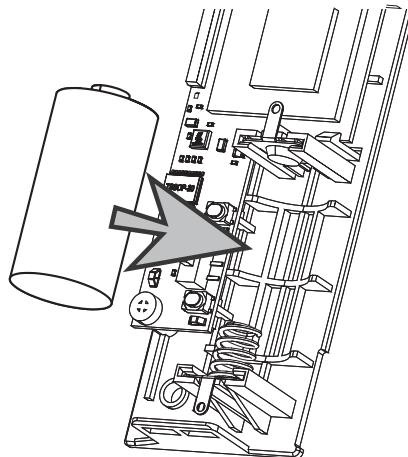
	Description		Description
1	Unit	4	Calibration button
2	Magnet	5	Programming button
3	Battery housing	6	Mode selector switch

Fitting the battery

To open the unit, press on the grey section located on the side of the opening and impact sensor unit to unclip the front of the case.



Insert the battery the correct way ("+" side on the "+" side and "-" side on the "-" side).




 Do not replace the front of the case before adding the opening and impact sensor to the TaHoma system and configuring it.

Adding to TaHoma / Connexoon system

TaHoma



On the TaHoma interface, select the  tab.

- Select the Configuration tab. 
- Select the "IO" tab, then select "Add".
- Follow the procedure shown on the screen.
- AFTER finishing the pairing, the green indicator light will switch off.

Connexoon



To add the opening and impact sensor to a Connexoon Box, the two devices need to be paired.

Press the PROG button on the opening and impact sensor



and hold for 2 seconds.
Press the PROG button on the Connexoon Box and hold for 0.5 seconds.

The opening and impact sensor has now been added to the Connexoon Box.

 Do not replace the front of the case before configuring the opening and impact sensor.

Installation

There are 2 options for installing your opening and impact sensor depending on the configuration of your door/window.

A



Unit on the moving part and the magnet on the frame of the door or window.

This enables **opening detection** if you have a TaHoma Box or a Connexoon Box, and **opening and impact detection** if you have a TaHoma Box with the TaHoma security extension.

B



Installing the opposite way round from method A, depending on the configuration on your door/window.

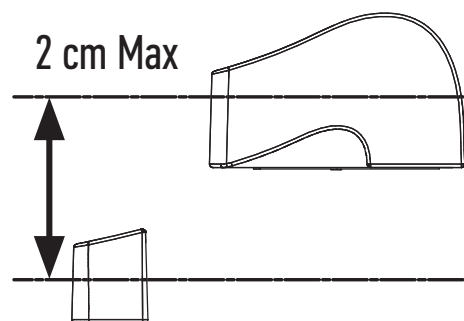
This enables **opening detection** if you have a TaHoma Box or a Connexoon Box.



In the case of a type A or B installation, the two parts (unit and magnet) must be in alignment, with a maximum space of 3cm between the two elements.



If, during installation, you find there is vertical offset between the unit and the magnet, this should not exceed 2cm.



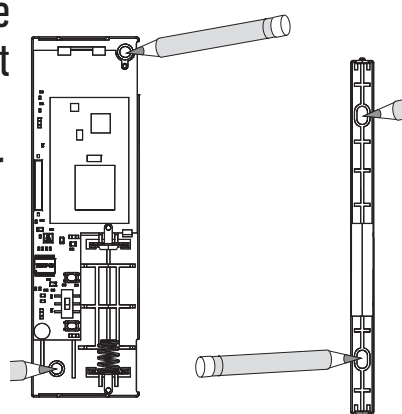
Mounting

Easy installation using adhesive strips

- Clean the surface where the unit and the magnet will be mounted.
- Affix the elements following the chosen installation method (A or B).

Mounting with screws

- Press on the upper section of the unit and magnet to unclip the front panel.
- Place the back panel (of the unit or magnet) into the chosen position and the screw holes with a pencil.
- Use fixing screws (3mm diameter and 19mm in length) and suitable plugs (3mm diameter and 25mm in length) to fix the opening and impact sensor to the surface.
- Firmly secure the back section of the opening and impact sensor in place.

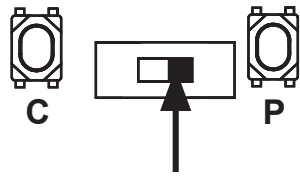


Configuration

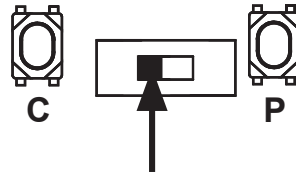
To use the opening and impact sensor in the various settings previously mentioned, use the following configurations.

Activation / Deactivation of magnet

 The mode selector indicates the activation/deactivation of the magnet.



Magnet activated
(Default position)



Magnet deactivated

• Opening detection

Used to detect intrusions into your home.

In the case of a type A or B installation, set the mode selector to the "Magnet activated" position (default position).



Close the cover.

The opening and impact sensor is now operational.

• Opening and impact detection

For detecting intrusion attempts and intrusions into your home.

Set the mode selector to the "Magnet activated" position (default position), then proceed to the impact "learning" mode (see p22).

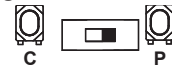


This step enables the unit to recognise intrusion attempts.

Opening and impact "learning" mode

This enables the opening and impact sensor to recognise:

- an intrusion attempt: impact "learning"



This is accomplished through the following 3 steps (closed window):

- 1) Press the calibration button (C) and hold for 3 seconds.




- 2) The red indicator light will light up for 10 seconds: close the unit cover whilst the light is on.

- 3) The red indicator light will blink rapidly: this is the learning step.

- Impact "learning": force/shake the door/window to simulate an intrusion attempt.

 If there is an error, the red indicator light will blink twice every five seconds.

 Carry out an intrusion or intrusion attempt test once this stage is finished to check that the opening and impact sensor is functioning correctly.

Resetting the opening and impact sensor

To delete the opening and impact sensor from the TaHoma, unclip the front panel of the unit, and press the programming button (P) for 10 seconds, the indicator light will switch on then switch off.

To reset the opening and impact sensor settings, unclip the front panel of the unit and press the calibration (C) button for 10 seconds, the indicator lighting will switch on then switch off.



Somfy hereby declares that this product is in compliance with the requirements of Directive 2014/53/EU. The full text of the Declaration of Conformity is available at www.somfy.com/ce.

Recycling



Do not dispose of this product with the household waste. Please take it to a collection point or an approved centre to ensure it is recycled correctly.



Ensure batteries are separated from other types of waste and are recycled via your local recycling centre.

The images contained in this booklet are for illustrative purposes only.

Technical data

Opening and impact sensor	
Battery type and standby time	CR 123
Index protection rating	IP 20 (inside use, in a dry room)
Frequency	868-870 MHz io homecontrol [®] , two-way Tri-band
Frequency bands and maximum power used	868.000 MHz - 868.600 MHz e.r.p. <25 mW
	868.700 MHz - 869.200 MHz e.r.p. <25 mW
	869.700 MHz - 870.000 MHz e.r.p. < 25 mW
Operating temperature	0°C to 60°C
Dimensions of unit L x H x D in mm	118 x 38 x 24
Dimensions of magnet L x H x D in mm	118 x 12 x 14
Weight	52 g

Wichtige Hinweise – Sicherheit

Allgemeines

Lesen Sie diese Montageanleitung und die Sicherheitshinweise aufmerksam durch, bevor Sie mit der Installation dieses Somfy-Produkts beginnen. Befolgen Sie alle Anweisungen dieser Anleitung und bewahren Sie diese Anleitung auf, solange Ihr Produkt in Betrieb ist.

Diese Anleitung beschreibt die Installation und Inbetriebnahme dieses Produkts.

Jede Installation oder Verwendung außerhalb des von Somfy definierten Einsatzbereiches ist nicht bestimmungsgemäß.

Sie führt, wie jede Nichtbeachtung der Anweisungen in dieser Anleitung, zum Ausschluss der Haftung und der Garantie durch Somfy.

Somfy kann für Norm- und Standardänderungen, die nach Veröffentlichung dieser Anleitung vorgenommen wurden, nicht zur Verantwortung gezogen werden.

Allgemeine Sicherheitshinweise

- Dieses Produkt ist nicht dafür vorgesehen, von Personen (einschl. Kindern) mit eingeschränkten physischen, sensorischen oder mentalen Fähigkeiten bzw. ohne ausreichende Erfahrung und Sachkenntnis benutzt zu werden, ausgenommen sie werden durch eine für ihre Sicherheit verantwortliche Person beaufsichtigt oder erhielten zuvor Anweisungen hinsichtlich der Bedienung des Produkts.
- Lassen Sie Kinder nicht mit dem Produkt spielen.
- Tauchen Sie das Produkt niemals in Flüssigkeit.
- Sie dürfen dieses Produkt nicht fallen lassen, anbohren oder zerlegen, bei Nichtbeachtung droht der Entfall der Garantie.
- Setzen Sie dieses Produkt nie erhöhten Temperaturen oder direkter Sonnenstrahlung aus.